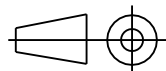
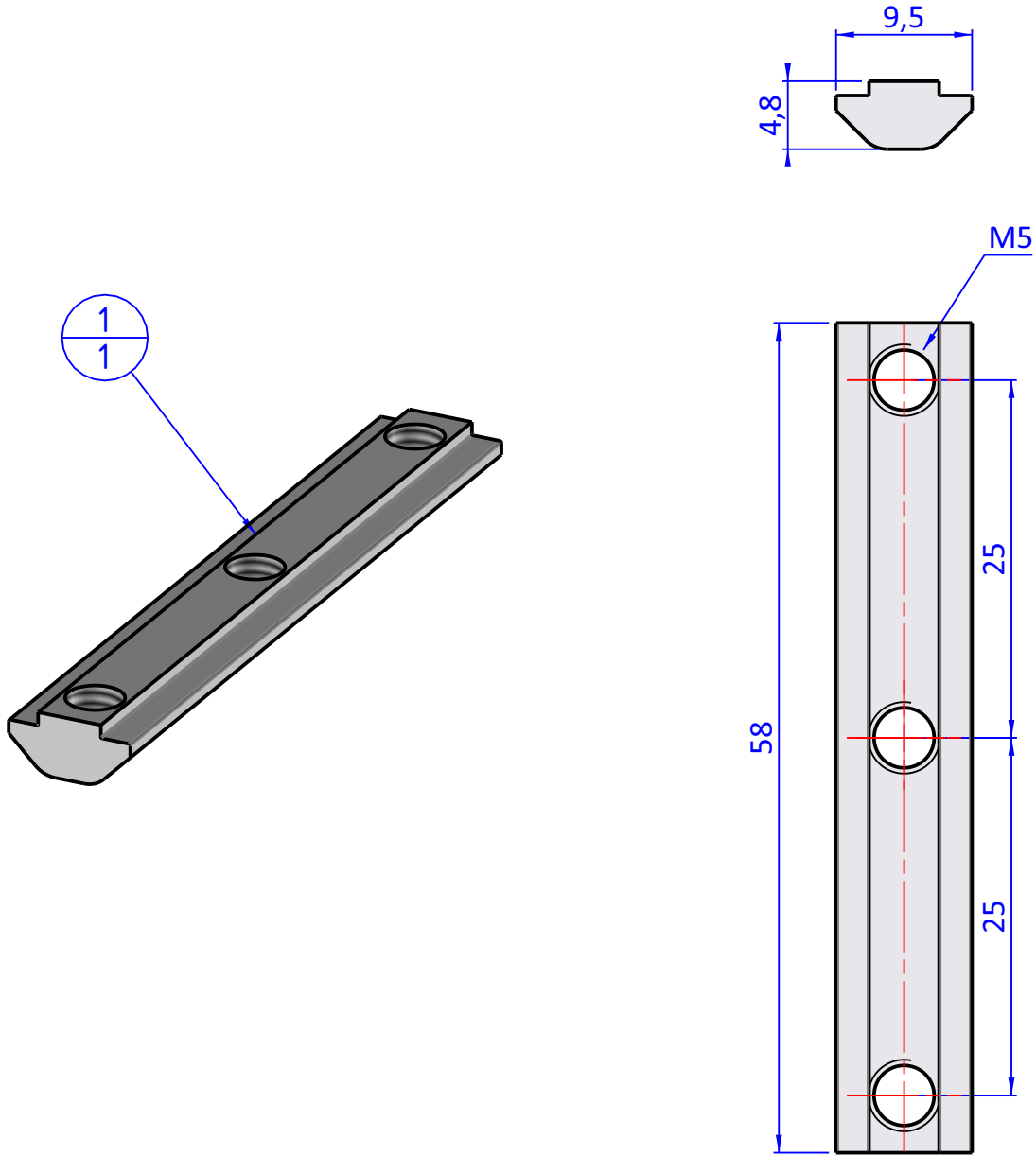


THE PROPERTY OF THE DRAWING IS ESTABLISHED BY LAW. IT IS FORBIDDEN TO PRODUCE OR SHOW IT TO THIRD PART. WITHOUT A WRITTEN AGREEMENT.

Item	Name	Q.ty
1	GWP.5.25.3.F	1



DESIGNED FROM	FPS Automation		REVIEW
DATE	19/02/2024	WEIGHT	A
CODE	0,005kg		
CA.GWP.5.25.3.F			

Format	A4
GENERAL TOLERANCE	UNI - ISO 2768
CLASSE	f

DESCRIPTION	CA.GWP.5.25.3.F
-------------	-----------------